

# K100

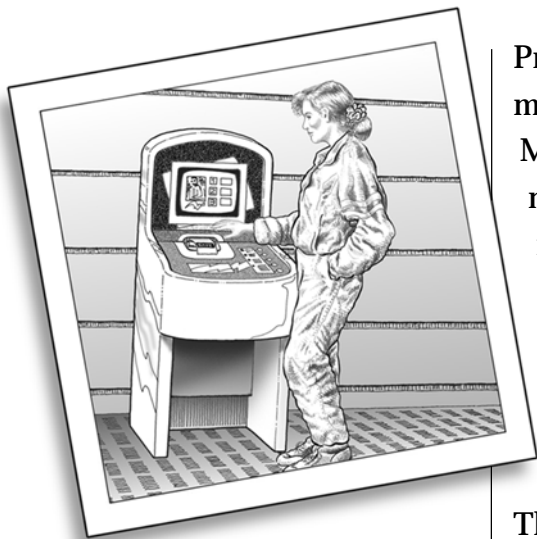
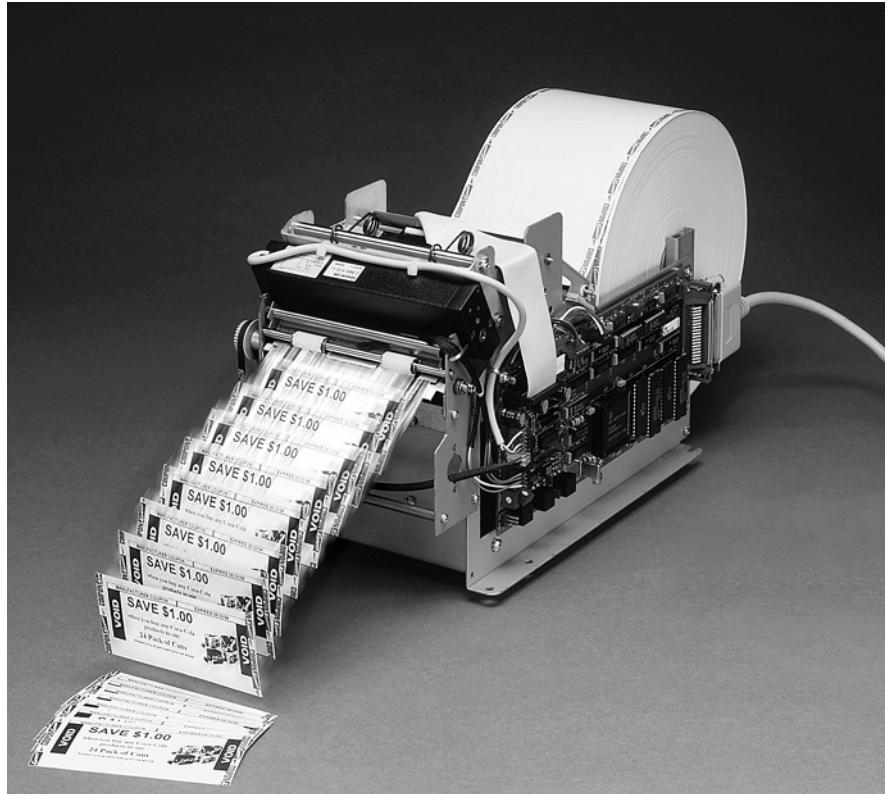
## Thermal Line Printer

FOR KIOSK APPLICATIONS

The K100 Printer is designed for use in publicly operated kiosks in relatively unsupervised environments.

The modular design of the K100 permits the OEM to configure the printer to the needs of the specific market being served.

- Printer with Controller
- Cutter
- Presenter with Paper Sensor
- Power Supply
- Windows Driver Included



Printrex has many years of experience producing high performance thermal printers/plotters for Original Equipment Manufacturers. These OEMs integrate the printers into instruments and systems for a wide range of medical, scientific and industrial products. Printrex works closely with their OEM partners to be sure the printer characteristics match the needs of the most demanding environments. The features compatibility and rugged reliability of Printrex products are the reasons they are installed in railroad locomotives, jet aircraft and used around the world for oil field data logging. This close working relationship with the OEMs has been followed during the development of the K100 to ensure that the features and characteristics are the appropriate match for kiosk applications.

# K100 Thermal Line Printer for Kiosk Applications

## K100 PRODUCT SPECIFICATIONS

Printing rate: 2 inches per second  
(12 lines/second at 6 lines/inch)

Print Width: 4.1 inches (104 mm)

Characters/Line: 52 at 12 characters/inch

Print Density: 203 dots/inch (8 dots/mm)

Graphics Format: 832 dots/line x n dot rows

Paper Capacity: Up to 8 inch (200 mm)  
diameter x 4.25 inches (108 mm) wide with 1  
inch (25 mm) minimum core I.D.

### Printer Controller:

Character set: As determined by the user.  
Default character set is 96 ASCII alphanumeric characters and 128 graphics characters as defined by the Printrex 820 Thermal Line Printer. Special characters may be substituted for standard characters.

Windows driver included.

Bar codes are available.

Centronics type interface with DMA data transfer.

Simultaneous printing and communications.

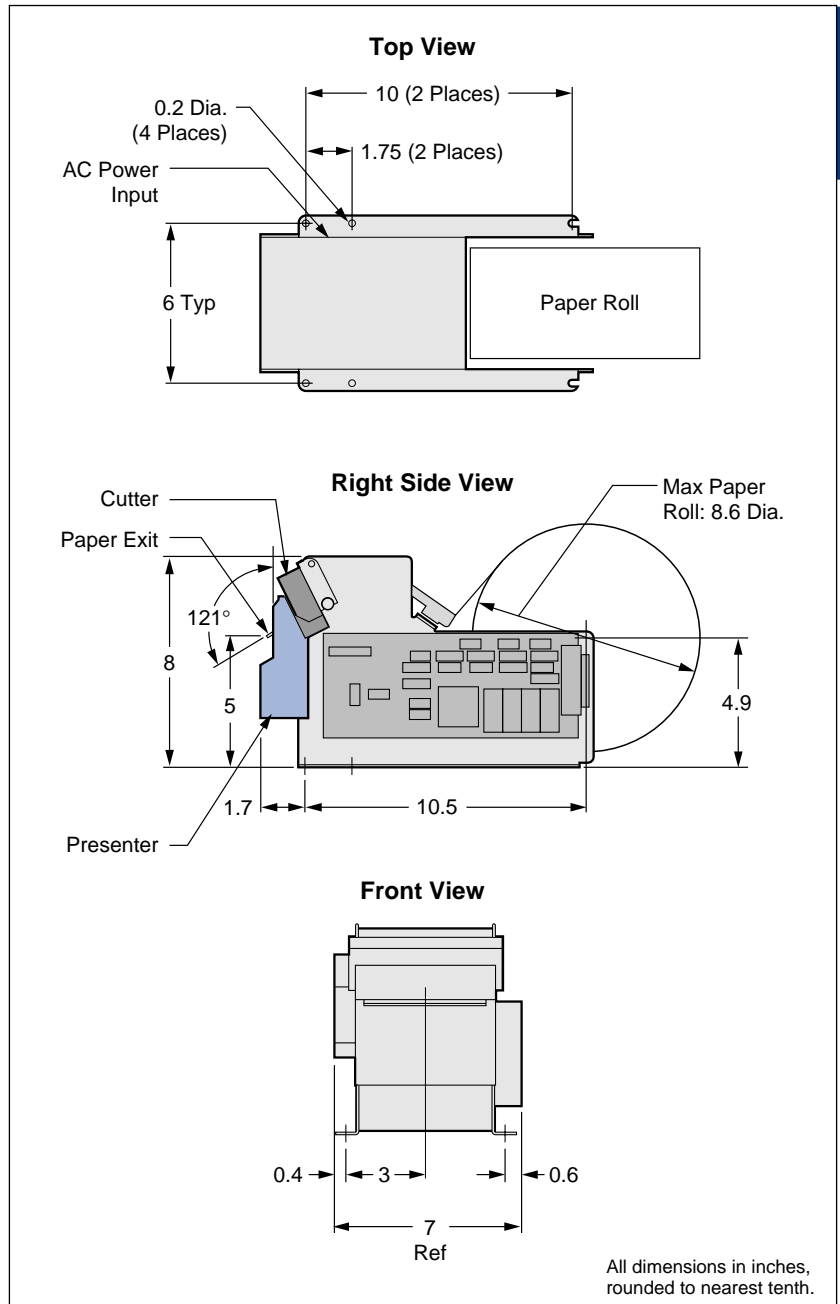
Input data buffer.

Printer status via standard Centronics interface.

Detection of Paper Empty, Paper Jam and internal errors.

Dimensions: 9 inches high x 6-3/4 inches wide x 16-1/2 inches deep including 8 inch diameter paper roll. (230 mm x 170 mm x 420 mm)

Weight: 12 pounds (5.5 kg) including cutter, presenter and power supply but excluding paper. An 8 inch paper roll weighs approximately 8 pounds (3.5 kg).



SPECIFICATIONS ARE SUBJECT TO CHANGE WITHOUT NOTICE



276 East Gish Road  
San Jose, CA 95112-4703  
Telephone: (408) 573-1200  
Fax: (408) 573-1600

[www.printrex.com](http://www.printrex.com)