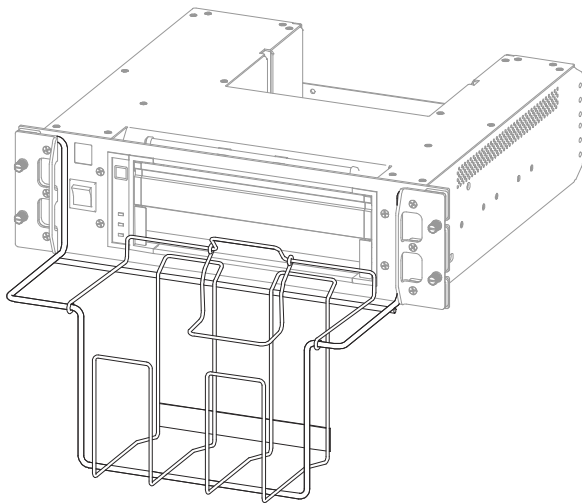


USER GUIDE

Paper Output Basket



Accessory

For QF and RM Chassis Industrial Printers

Overview

This User Guide covers the general operation and care of the Printrex Paper Output Basket (p/n 2012-0027). The paper basket is designed to operate with the Printrex QF Chassis and RM Chassis products as follows:

- p/n 2011-0134, Printrex 840DL/G-QF Chassis
- p/n 2011-0139, Printrex 820DL/G-QF Chassis
- p/n 2011-0149, Printrex 840DL/G-RM Chassis
- p/n 2011-0137, Printrex 820DL/G-RM Chassis

Note: For installation on a RM Chassis product, an additional RM Mounting Kit is required (p/n 2012-0029).

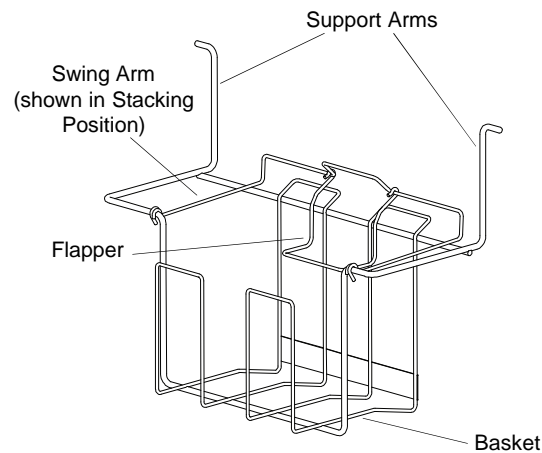
Package Contents

You should find the following items when unpacking this product. If any of these items are not found, please contact Printrex Customer Service.

- Paper Output Basket
- This User Guide
- RM Mounting Kit (If it is ordered when ordering the basket)

Getting Familiar

Refer to the following figure to familiarize yourself with the features of the paper basket. The names of these features will be used throughout this guide.

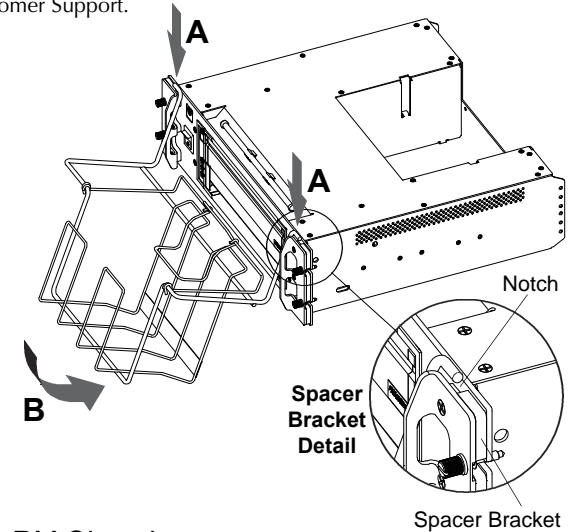


Installation

For QF Chassis

Position the Support Arms into the Spacer Bracket notches as shown (A) then allow the basket to naturally rotate into position (B).

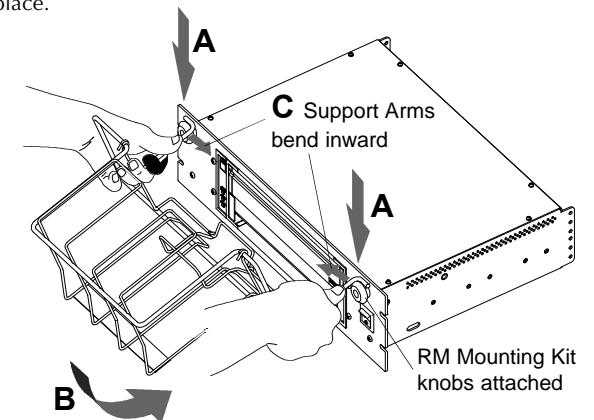
NOTE: Some early versions of the QF Chassis products did not have notches to accept the Support Arms (as shown in the Spacer Bracket Detail). If this is the case with your product, contact Printrex Customer Support.



For RM Chassis

Position the Support Arms on top of the mounting knobs as shown (A) and rotate the basket into place (B).

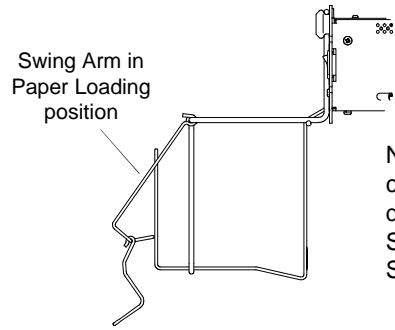
NOTE: While rotating the basket into place, the Support Arms bend inward (C) and force the Support Arms upward. It is necessary to press downward on the Support Arms while rotating the basket in place.



Operation

Loading Paper

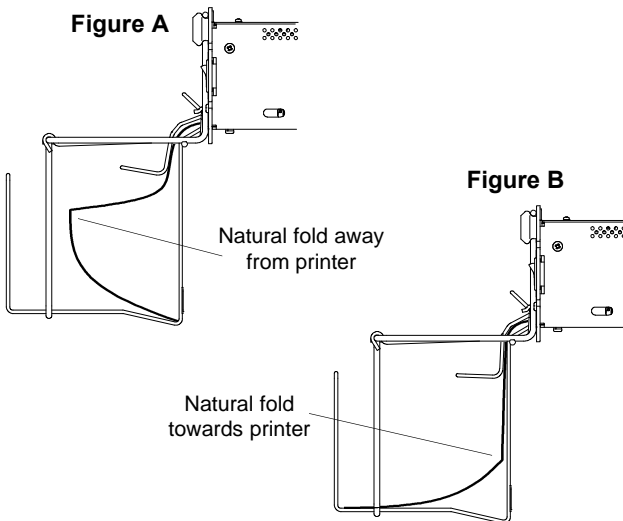
- Rotate the Swing Arm into the Paper Loading Position as shown below.
- Load paper into the printer as you would normally do.
- Return the Swing Arm to the Stacking Position.



NOTE: Do NOT close the printer door while the Swing Arm is in the Stacking position.

Starting a Print Job

It is important to begin stacking paper according to the natural fold of the paper. If the first natural fold is away from the printer (Figure A), the paper will generally start stacking without intervention. If the first natural fold is towards the printer (Figure B), it may be necessary to position the leading edge of the paper away from the printer as shown. It is always a good idea to monitor the first few sheets of a printout to ensure that correct folding is taking place.



Restriction on Use

Use this equipment only for its intended use as described in this guide.

- The paper basket is not intended to be used with roll or Fan Fold on a roll media.
- The paper basket is designed to withstand incidental bumps and jarring. Do not use the paper basket as a storage shelf.
- The paper basket is designed to work with a wide range of paper thicknesses, however, performance may be degraded with some very thin papers.

Warranty

The Printrex product is warranted to be free from failures due to defects in material and workmanship for twelve (12) months from the date of purchase. During this 12 month period Printrex will, at its sole discretion, replace or repair at no charge the product which, in its opinion, is defective.

If the failed product has been modified without Printrex's consent or if the failure is the result of misuse, abuse or misapplication, Printrex has no obligation to repair or replace the failed product.

Except as expressly provided above, the hardware and accompanying written materials (including the User's Guide) are provided 'as is' without warranty of any kind, including the implied warranties of merchantability and fitness for a particular purpose, even if Printrex has been advised of that purpose. In no event will Printrex be liable for any direct, indirect, consequential, or incidental damages arising out of the use of or inability to use such product even if Printrex has been advised of the possibility of such damages. Some states do not allow the exclusion or limitation of liability for consequential or incidental damages, so the above limitation may not apply.

Service Policy

Following the warranty period, Printrex will, at its sole discretion, replace or repair the defective product; Printrex will charge you a fee to cover handling and service costs based on Printrex's then-current price schedule. Printrex, at its sole option, may replace or repair the defective product with a then-current product having similar features and functionality as determined by Printrex.

Obtaining Service

Before returning a failed unit, the buyer must first obtain a Return Material Authorization (RMA) number by contacting Printrex's Customer Service. The RMA number should be prominently displayed on the outside of the returned package and on the accompanying packing list. Printrex cannot be held responsible for any package returned without an RMA number. The model (and serial number if the product is a printer) is on the chassis label located on the rear of the product. Please have this information available when service is required.

You are responsible for packing the failed product in original or equivalent packaging for shipment, and for the charges to ship the failed product to Printrex. Printrex is responsible for charges to ship the repaired or replaced product. If any charge to you is involved, Printrex, at its sole option, will bill you or return the product C.O.D.

PRINTREX, Inc.
276 East Gish Road
San Jose, CA 95112-4703
Ph (408) 573-1200
Fax (408) 573-1600

Specifications

Supported Media Size ... 6 1/4 by 8 3/4 inch (API Sheets)
Capacity 5 inch stack height
Height 310mm (12.2 inch)
Width 430 mm (16.9 inch)
Depth 196 mm (7.7 inch)
Weight 0.7 Kg (1.5 lbs)
Shipping Weight 1.8 Kg (4.0 lbs)

Information in this document is subject to change without notice and does not represent a commitment on the part of Printrex, Inc. No part of this manual may be reproduced or transmitted in any form or by any means, for any purpose other than the purchaser's personal use, without the expressed written permission of Printrex, Inc.

All rights reserved. Printed in the United States of America.

© Copyright 2003 by Printrex, Inc.

Document Number: 1028-0055 Rev 1